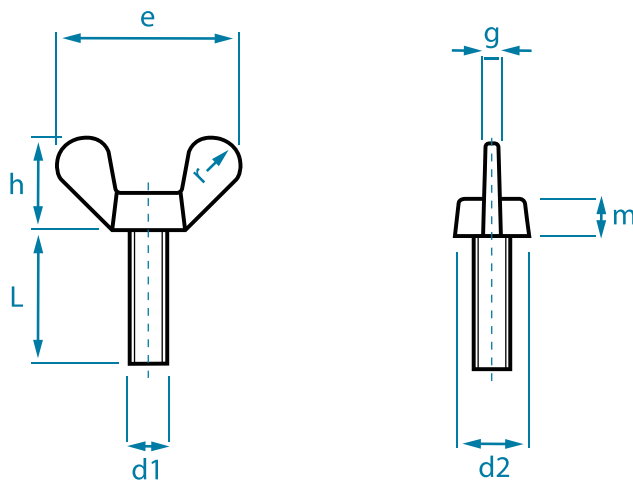



WING SCREWS

DIN 316 | MALLEABLE CAST IRON HEAD WITH STEEL SHANK



		DIMENSIONS						
HEAD	d1	M4	M5	M6	M8	M10	M12	M16
	d2	7,0	9,5	11,5	14,5	18,5	21,5	27,5
	e	20,0	25,0	31,5	37,0	49,5	63,5	71,5
	g	1,5	1,9	1,9	2,4	4,0	4,5	6,0
	h	9,5	12,0	16,0	19,0	24,0	32,3	36,3
	m	3,9	5,3	6,5	8,3	10,0	12,0	15,0
	r	3	4	5	6	8	10,0	11,0
								
LENGTH	8	200	200	200	-	-	-	-
	10	200	200	200	100	-	-	-
	12	200	200	100	100	-	-	-
	16	200	200	100	100	50	20	-
	20	200	200	100	100	50	20	-
	25	200	200	100	100	50	20	-
	30	200	100	100	100	50	20	10
	35	200	100	100	100	50	20	-
	40	200	100	100	50	50	20	10
	45	-	100	100	50	-	20	-
	50	-	100	100	50	20	20	10
	60	-	-	100	50	20	20	10
	70	-	-	50	50	20	20	-
80	-	-	50	50	20	20	10	

- » Radiuses acc. to DIN 316, i.e. ergonomic wings, no sharp edges
- » Complete range M4x8 – M16x60 available while stocks last
- » On request: Special lengths up to 300 mm, with partial thread, with special thread ends or with washer
- » See also separate product sheet "Special wing screws"

PACKAGING: Standard or according to customer specification

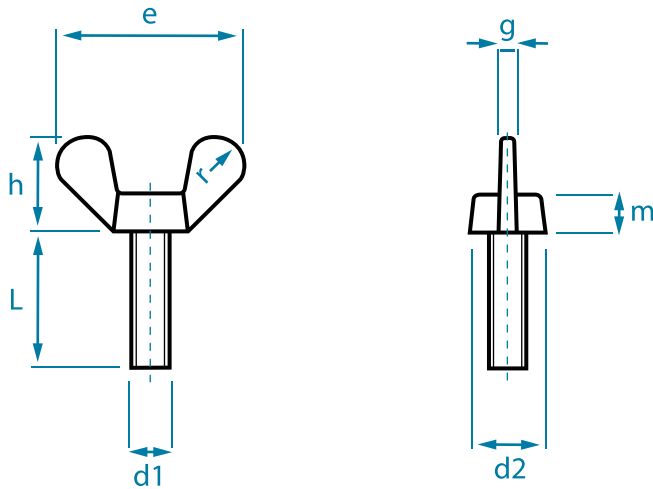
MATERIAL: Malleable cast iron head, EN-GJMB-350-10 acc. to DIN EN 1562, steel shank min. quality 4.6, non-plated, zinc-plated, nickel-plated acc. to DIN EN ISO 4042
On request: Stainless steel A2 or A4, surface pickled, passivated

TOLERANCE: Metric thread 6 h (untreated 6 g) acc. to DIN EN ISO 965-1

All of the dimensions stated above are approximate and may deviate both upwards and downwards.

WING SCREWS

DIN 316 | CAST BRASS VERSION



DIMENSIONS							
HEAD	d1	M4	M5	M6	M8	M10	M12
	d2	8,0	8,5	10,0	11,5	15,5	18,5
	e	20,0	25,0	31,5	37,0	49,5	63,5
	g	1,5	1,9	1,9	2,4	4,0	4,5
	h	9,5	12,0	16,0	19,0	24,0	32,3
	m	3,9	5,3	6,5	8,3	10,0	12,0
		📦					
	8	200	200	200	-	-	-
	10	200	200	200	100	-	-
	12	-	200	100	100	-	-
	16	200	200	100	100	50	-
LENGTH	20	200	200	100	100	50	20
	25	-	200	100	100	50	20
	30	-	100	100	100	50	20
	35	-	-	100	100	50	20
	40	-	-	100	50	50	20
	45	-	-	-	50	50	-
	50	-	-	-	50	20	-
	60	-	-	-	50	-	20

- » Radiuses acc. to DIN 316, i.e. ergonomic wings, no sharp edges
- » Complete range M4x8 – M12x60 available while stocks last
- » One-piece cast model

PACKAGING: Standard or according to customer specification

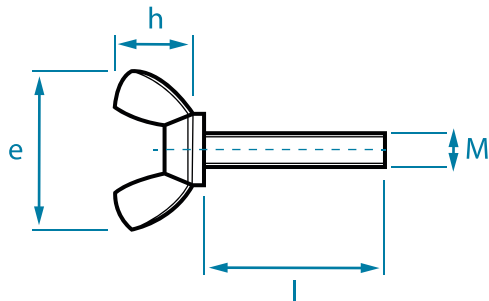
MATERIAL: Brass (MS) 2.0401 acc. to DIN CEN/TS 13388 non-plated, nickel-plated acc. to DIN EN ISO 4042
On request: Stainless steel A2 or A4, surface pickled, passivated

TOLERANCE: Metric thread 6 h (untreated 6 g) acc. to DIN EN ISO 965-1

All of the dimensions stated above are approximate and may deviate both upwards and downwards.

WING SCREWS

AMERICAN FORM | COLD-FORMED



DIMENSIONS

HEAD		M3	M4	M5	M6	M8	M10	M12
	e	18,5	22,0	22,0	26,8	30,3	35,3	47,5
h	8,8	10,5	10,5	12,9	14,8	17,3	22,5	
d	7,8	9,5	9,5	11,9	13,5	15,3	20,5	
LENGTH	6	500	-	-	-	-	-	-
	8	500	-	200	-	-	-	-
	10	500	200	200	100	100	-	-
	12	500	200	100	100	100	-	-
	15	500	200	100	100	100	50	-
	20	500	200	100	100	100	50	20
	25	500	100	100	100	100	50	20
	30	500	100	100	100	100	50	20
	35	-	100	100	100	100	50	20
	40	-	-	100	100	50	50	20
	45	-	-	-	-	50	-	-
	50	-	-	100	100	50	50	20
60	-	-	-	100	50	20	20	

- » From M3x6 – M12x60 available while stocks last
- » On request: Special lengths and individual thread ends
- » With flange beneath wing head, also available without flange on request

PACKAGING: Standard or according to customer specification

MATERIAL: Steel non-plated, zinc-plated, nickel-plated acc. to DIN EN ISO 4042, further finishes on request, stainless steel A2 or A4, pickled, passivated

TOLERANCE: Metric thread 6 h (untreated 6 g) acc. to DIN EN ISO 965-1

All of the dimensions stated above are approximate and may deviate both upwards and downwards.

SPECIAL WING SCREWS

PRODUCT EXAMPLES BASED ON DIN 316

Special lengths up to 300 mm, with partial or full thread

With threaded rod 8.8, 10.9 and 12.9

Screws with fixed or captive washer

Partial thread, with or without sealing hole

Thread end with cap point, cone point, rivet pin or similar acc. to EN ISO 4753

Thread recess



PRODUCT EXAMPLES WITH SPECIAL WING FORMS

Wing screws with extra-large wings

Wing screws with hexagon and adapter



PRODUCT EXAMPLES IN BRASS

Wing screws with molded washer

M10 x 25

Non-plated or nickel-plated



- » According to BTS company standard
- » As complete special part acc. to drawing / sample
- » On request: Complete planning and design of new parts

Minimum volumes are required, depending on article or surface finish.