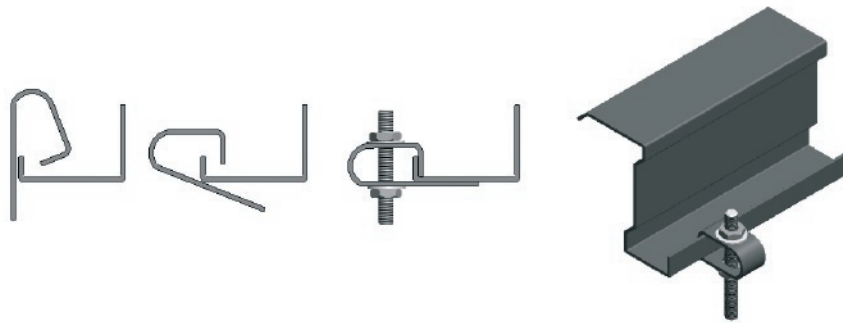
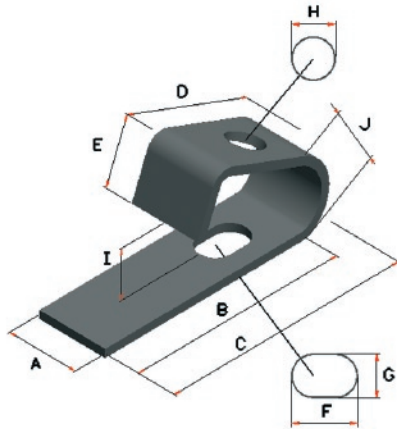


## Purlin Clips / D-Clips

H



A	B	C	D	E	F	G	H	I	J	thickness
25 mm	77 mm	85,5 mm	49 mm	22 mm	17,5 mm	12 mm	11,5 mm	≈17 mm	23 mm	3 mm

The Purlin Clips enable the suspension of building services from Z purlins.

**PACKING (VE):** 100 pcs./box

**MATERIAL:** Steel zinc plated acc. to DIN EN ISO 4042

**DIMENSIONS:** The above mentioned dimensions are indicate only. They correspond to the average allowed during the production process.

