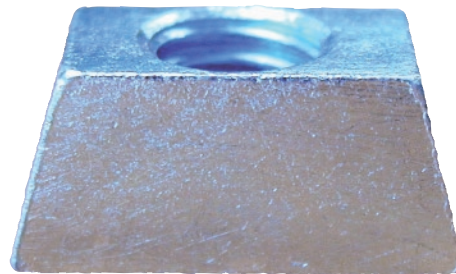
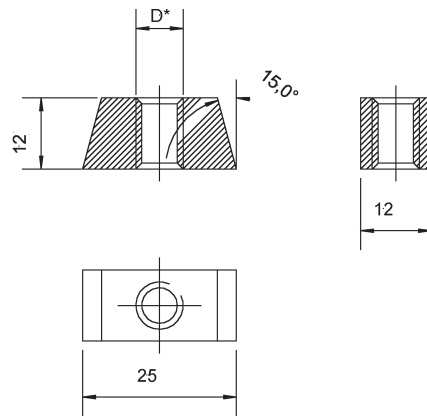


Wedge Nuts



	length	width	height	VE
M 4	25,0 mm	12,0 mm	12,0 mm	100
M 5				
M 6				
M 8				
M 10				

PACKING (VE): Commercial standard or after customer's request
MATERIAL: Steel min. 130 HB
SURFACE: Self colour, zinc plated, nickel plated acc. to DIN EN ISO 4042, other surfaces on request
DIMENSIONS: The above mentioned dimensions are indicate only. They correspond to the average allowed during the production process.

