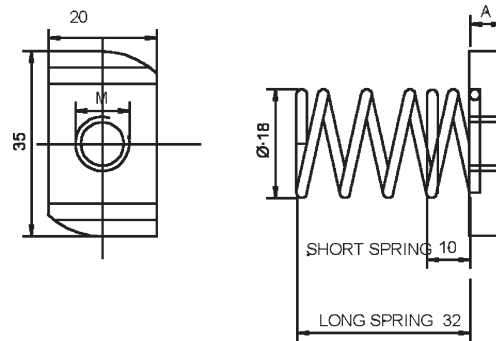


## Channel Nuts



J



	without spring		with short spring		with long spring		Topnut	
	A	VE	A	VE	A	VE	A	VE
<b>M 6</b>	6	100	6	100	6	100	6	100
<b>M 8</b>	6	100	6	100	6	100	6	100
<b>M 10</b>	8	100	8	100	8	100	8	100
<b>M 12</b>	9,5	100	8	100	9,5	100	9,5	100

**PACKING (VE):** 100 pcs/box and 600 pcs/big box

**MATERIAL:** Steel min. 130 HB, self colour, zinc plated acc. to DIN EN ISO 4042, hot dip galvanised, other surfaces on request  
Stainless steel A4, pickled, passivated  
Aluminium (on request)

**DIMENSIONS:** The above mentioned dimensions are indicate only. They correspond to the average allowed during the production process.

