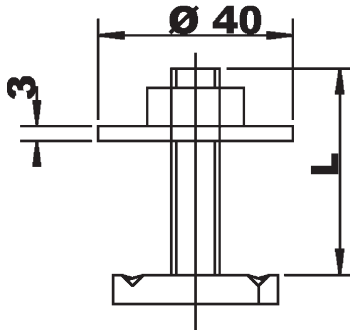


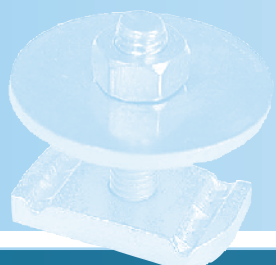
Hammer Head Bolts

K



		DIMENSIONS / VE		
		M 8	M 10	M 12
LENGTH	20	50	-	-
	30	50	50	50
	40	50	50	50
	50	50	50	-
	60	50	50	-

HEAD DIMENSIONS: acc. datasheet Channel Nuts
 MATERIAL: Steel min. 130 HB, zinc plated acc. to DIN EN ISO 4042
 DIMENSIONS: The above mentioned dimensions are indicate only. They correspond to the average allowed during the production process.



Hammer Head Bolts «Topscrew»



Insert Topscrew into channel



Press and at the same time rotate Topscrew by 90°



Tighten hexagon nut with a spanner



K

DIMENSIONS / (VE)				
		M 8	M 10	M 12
LENGTH	30	50	50	50
	40	50	50	50
	50	50	50	-
	60	50	50	-

Product advantages:

1. Time saving because of pre-assembled system in different lengths
2. Squeezes in the channel, ideally for vertical installations
3. Topscrew can be easily moved in the channel
4. No spragging on slotted channels
5. Only one Topscrew for all size strut
6. Open access through channel

DIMENSIONS WASHER: Acc. to data sheet Hammer Head Bolts

HEAD DIMENSIONS: Acc. datasheet Channel Nuts

MATERIAL: Steel, zink plated A2B acc. to DIN EN ISO 4042

DIMENSIONS: The above mentioned dimensions are indicate only. They correspond to the average allowed during the production process.