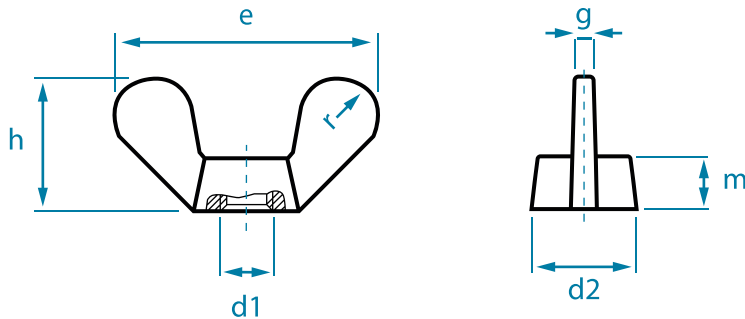



WING NUTS

DIN 315 | CAST VERSION



METRIC d1	UNC/BSW d1	DIMENSIONS						
		e	h	d2	g	m	r	
M 4	5/32"	19,0	9,5	7,0	1,5	3,9	3	500
M 5	3/16"	25,0	12,0	9,5	1,9	5,3	4	500
M 6	1/4"	31,5	16,0	11,5	1,9	6,5	5	200
M 8	5/16"	37,5	19,0	14,5	2,4	8,3	6	100
M 10	3/8"	49,5	24,0	18,5	4,0	10,0	8	100
M 12	1/2"	63,5	32,3	21,5	4,5	12,0	10	50
M 14	9/16"	63,5	32,3	21,5	4,5	12,0	10	50
M 16	5/8"	71,5	36,3	27,5	6,0	15,0	11	20
M 20	3/4"	88,0	45,3	33,5	6,5	18,5	14	10
M 24	1"	108,0	55,0	42,5	9,0	22,5	18	5

- » Radiuses acc. to DIN 315, ergonomically formed, no sharp edges
- » Complete range M4 – M24 available while stocks last
- » On request: Special threads, special parts based on DIN 315 e.g. with sealing hole
- » RoHS-compliant galvanisation (chromium VI - free)
- » See also "Special wing nuts"

PACKAGING: Standard or according to customer specification

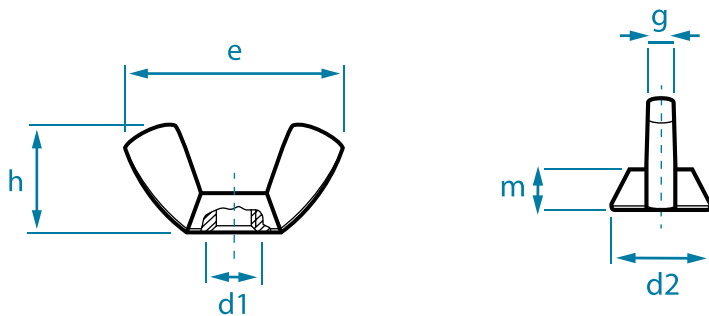
MATERIAL: Malleable cast iron EN-GJMB-350-10 acc. to DIN EN 1562 non-plated, zinc-plated acc. to DIN EN ISO 4042, brass (MS) 2.0401 acc. to DIN CEN/TS 13388 non-plated, nickel-plated acc. to DIN EN ISO 4042, aluminium (AL); stainless steel A2 and A4, pickled, passivated


TOLERANCE: Metric thread 6 H (bright 6 G) acc. to DIN EN ISO 965-1

All of the dimensions stated above are approximate and may deviate both upwards and downwards.

WING NUTS

AMERICAN FORM | COLD-FORMED



METRIC d1	INCH d1	DIMENSIONS								
		e	h	d	g	m	Steel	A2	A4	Brass
M 3	1/8"	18,5	8,8	7,8	2,0	3,0	500	100	100	500
M 4	5/32"	18,5	8,8	7,8	2,0	3,0	500	100	100	500
M 5	3/16"	22,0	10,5	9,5	2,6	4,0	500	100	100	500
M 6	1/4"	26,8	12,9	11,9	3,0	4,9	500	100	100	500
M 8	5/16"	30,3	14,8	13,5	3,3	5,4	200	100	100	100
M 10	3/8"	35,3	17,3	15,3	4,0	6,3	100	100	100	100
M 12	1/2"	47,5	22,5	20,5	5,0	7,9	50	50	50	50
M 14	9/16"	65,0	30,8	25,0	6,5	10,6	50	50	50	50
M 16	5/8"	65,0	30,8	25,0	6,5	10,6	50	20	20	-
M 20	3/4"	66,5	31,2	29,3	7,2	12,2	50	20	20	-

» Metric thread from M3 to M20 available while stocks last

» On request: Inch thread, special parts based on the American form, e.g. with sealing hole

PACKAGING: Standard or according to customer specification

MATERIAL: Steel non-plated, zinc-plated, nickel-plated acc. to DIN EN ISO 4042,
brass non-plated, nickel-plated acc. to DIN EN ISO 4042,
stainless steel A2 or A4, pickled, passivated

TOLERANCE: Metric thread 7 H (untreated 7 G) acc. to DIN EN ISO 965-1

All of the dimensions stated above are approximate and may deviate both upwards and downwards.

SPECIAL WING NUTS

PRODUCT EXAMPLES IN BRASS

Wing nuts with molded washer

Cast design

M8, M10, M12

Surface finish non-plated or nickel-plated



Wing nuts with only one wing

Cast design

M8

Surface finish non-plated or nickel-plated



Scythe nuts

Cast design

M10



- » According to BTS company standard
- » As complete special part acc. to drawing / sample
- » On request: Complete planning and design of new parts

STANDARD FINISHES: Untreated, nickel-plated acc. to DIN EN ISO 4042

Further materials, finishes and special packaging on request.
Minimum volumes are required, depending on article or surface finish.

All of the dimensions stated above are approximate and may deviate both upwards and downwards.

SPECIAL WING NUTS

PRODUCT EXAMPLES IN MALLEABLE CAST IRON EN-GJMB-350-10 ACC. TO DIN EN 1562

Model „S“ – 40 mm wing width

M5 or M6

Surface finish as requested



Model „SO“ – 60 mm wing width

M5, M6 or M8

Surface finish as requested



Hex wing nuts

M6 / spanner width 11 mm

M6, M8 or M10 / spanner width 13 mm

Thread continuously from wing to hexagon

Completely casted in one piece

Surface finish as requested



PRODUCT EXAMPLES IN SHEET METAL

Sheet Metal wing nuts, zinc-plated

Flat form

M4, M5, M6 or M8



Sheet Metal wing nuts, zinc-plated

High form

M5, M6 or M8



- » According to BTS company standard
- » As complete special part acc. to drawing / sample
- » On request: Complete planning and design of new parts

Minimum volumes are required, depending on article or surface finish.

All of the dimensions stated above are approximate and may deviate both upwards and downwards.