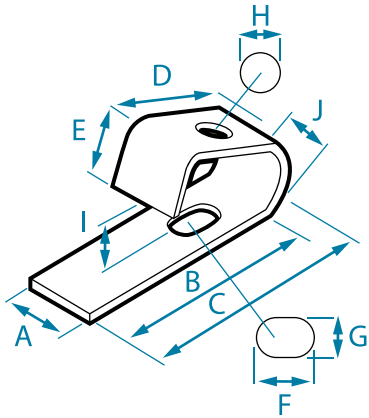
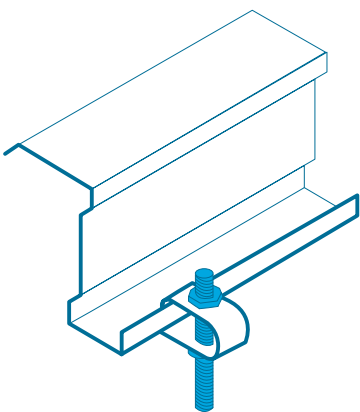
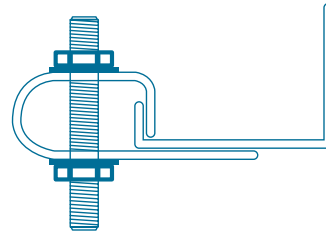
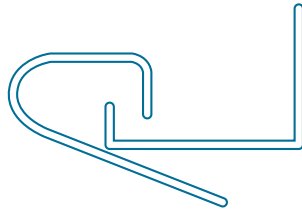
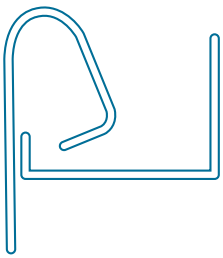


PURLIN CLIPS



A	B	C	D	E	F	G	H	I	J	THICKNESS
25	77	85,5	49	22	17,5	12	11	≈17	23	3



The purlin clip enables the suspension of Z-shaped purlins.

PACKAGING: 100 Pcs/box

MATERIAL: Steel, zinc-plated acc. to DIN EN ISO 4042

All of the dimensions stated above are approximate and may deviate both upwards and downwards.